

GRAPAS DE ENLACE A ESTRUCTURA
 STRUCTURE ATTACHMENT CLAMPS / BLOCS DE CONNEXION À STRUCTURE

FIG. 1

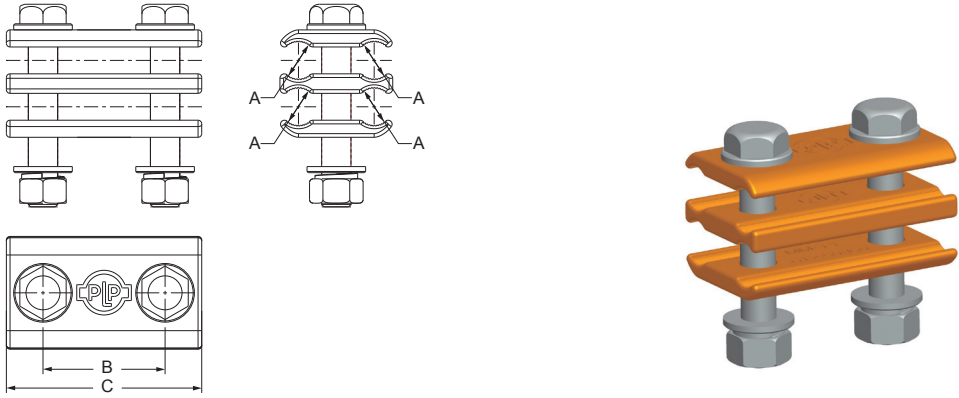


FIG. 2

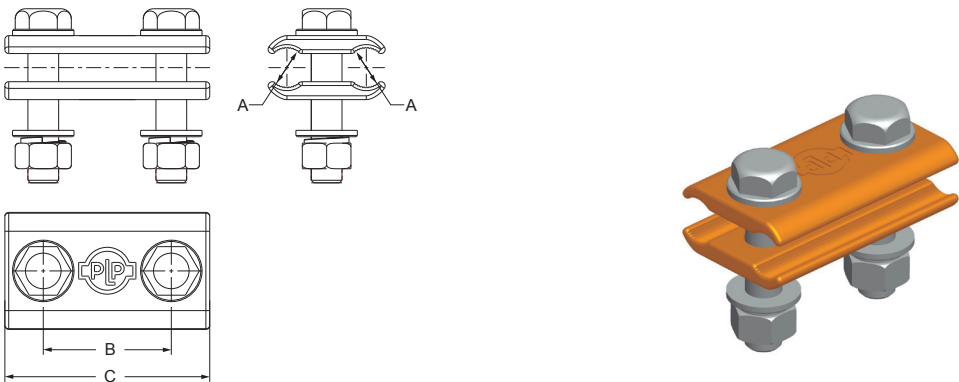


FIG. 3



FIG. 4

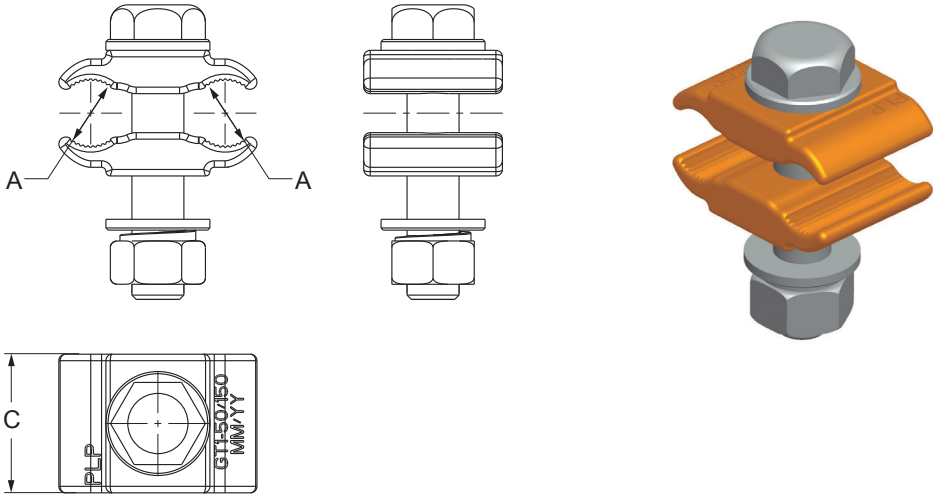
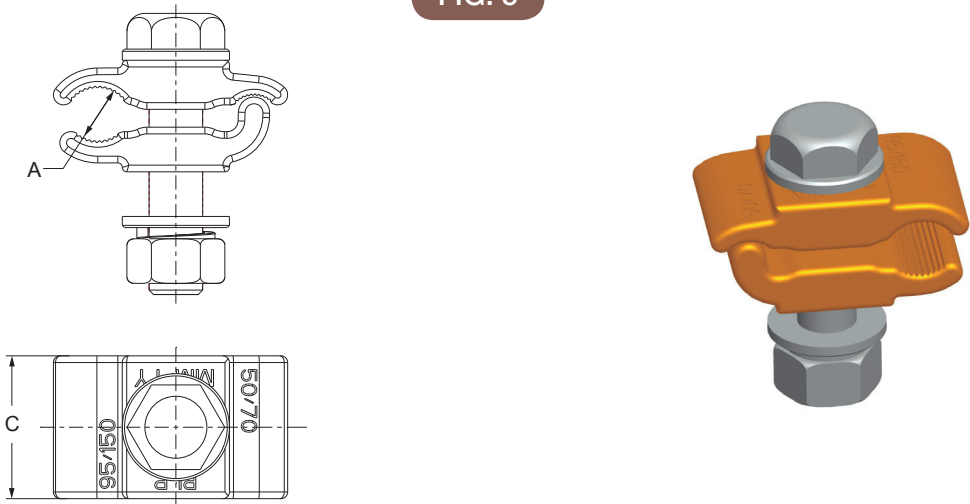


FIG. 5



117

03

3.1

MATERIAL DE TOMA DE TIERRA
 EARTHING MATERIAL / RACCORDS DE MISE À LA TERRE

| CÓDIGO PART. N CODE | A(mm²) | B | C | APRIETE Torque Serrage | FIG. |
|---------------------------|--------|------|----|------------------------------|------|
| | | (mm) | | | |
| 41022702 | 50/150 | 50 | 80 | 45 Nm | 1 |
| 41022701 | 50/150 | 50 | 80 | 45 Nm | 2 |
| 41023301 | 50/150 | 60 | 24 | 20 Nm | 3 |
| 41023001 | 50/150 | - | 32 | 30 Nm | 4 |
| 41023002 | 35 | - | 28 | 30 Nm | 4 |
| 41023101 | 50/150 | - | 37 | 30 Nm | 5 |